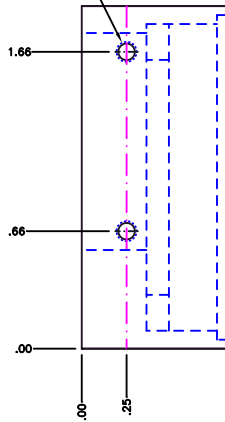
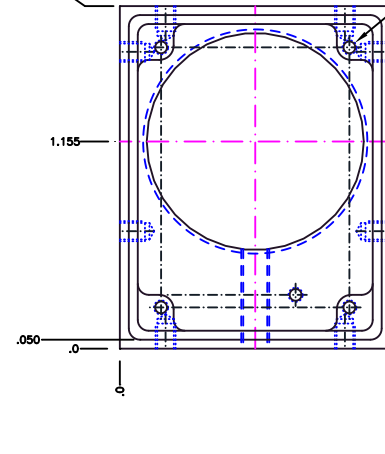


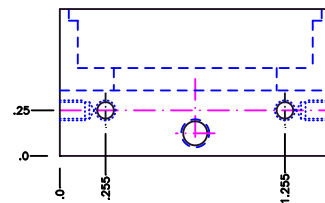
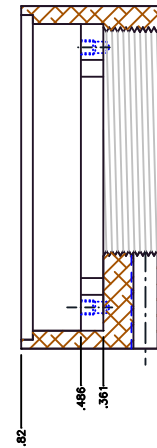
DRILL & TAP (8) PLCS.
M3.0x0.5 x 3.5mm DP.



1.910



DRILL & TAP (8) PLCS.
M2.0x0.45 x 2.0mm DP.



EPiK Inc.
828 Washington
Buffalo Grove, IL 60089 USA
Copyright EPiK Inc.

SV9c10-HNDA

DATE 06-14-2008 No.
SCALE
COMMENTS

MATERIAL : ALUMINIUM
6061-T6 or EQUIVALENT
FINISH :
GOLD ANODIZE
(ALL SURFACES)

Drawing No.
SV9c10-HJ-s1

Note : All dimensions in inches
DIM. 0.X TOL. ± 0.015
0.XX TOL. ± 0.010
0.XXX TOL. ± 0.002
EXCEPT WHERE NOTED OTHERWISE

REV	DESCRIPTION	DATE